

Wetcell Rack with Integrated Spill Containment

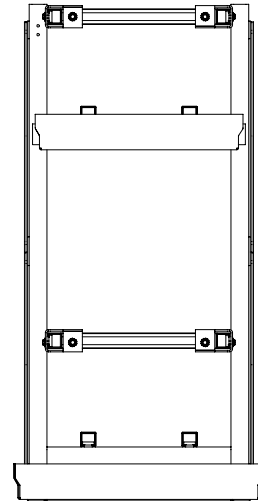
Effective Date: 8/1/08

Bulletin Number: 803270-1

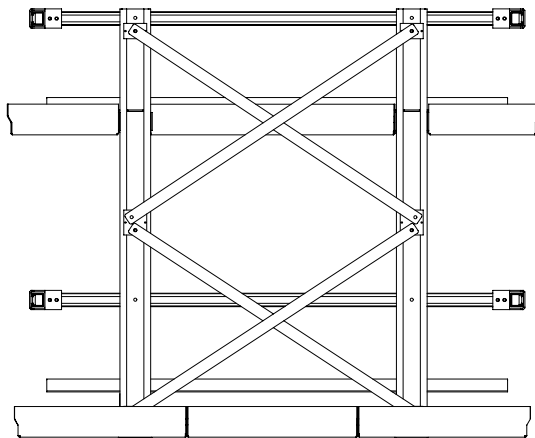
Features:

- Meets IBC - 2006 Requirements
- One of the tightest footprints available. In large battery rooms this saves enough space to allow for another string.
- Designs available for all wetcell battery makes and models.
- Rack models available include:
 - 1 tier, 2 tier, 3 tier
 - Single row, Double row
 - 2 step
 - Custom lengths to fit battery string and room requirements.
- Rack and spill pan features:
 - Acid resistant epoxy paint
 - PVC rail covers
 - Flame retardant acid absorbing and neutralizing pillows come standard for the bottom tier pan
 - (pillows for other pan tiers optional).
- Designed to use Hilti or MKT anchor bolts.
- Optional items include:
 - Flame retardant acid absorbing and neutralizing pillows for pans other than bottom tier pan
 - Tier to tier output cables
 - Output terminal plates
 - Output terminal plate covers
 - Clear polycarbonate battery terminal covers
 - Spill response kits
 - Eye wash

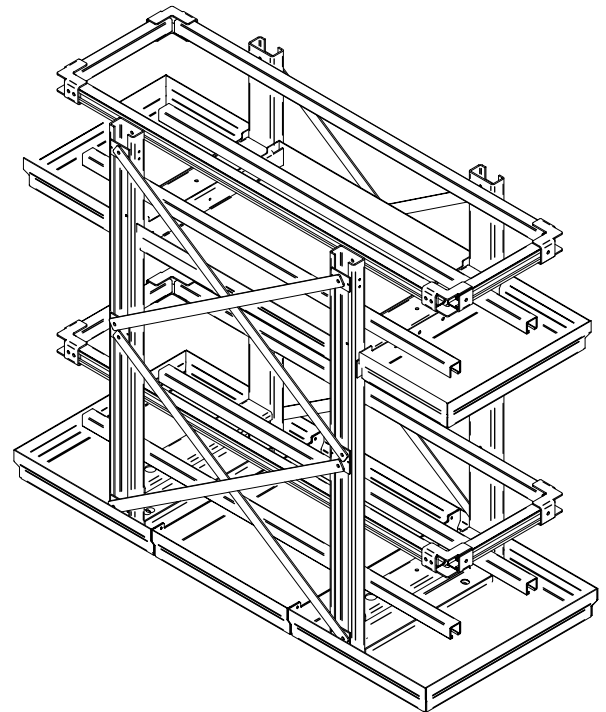
For individual or battery specific drawings of the rack with integrated spill pans, please contact IntraPack.



End View of 2 tier, single row rack



Side View of 2 tier, single row rack



Isometric View of 2 tier, single row rack (shown without pillows)



Not a purchase, an investment.

10817 Sanden Drive • Dallas, Texas 75238-1338
Tel: 214-348-7105 • Fax: 214-348-7115 • Email: sales@intrapack.com